

THE **BS-SERIES** CROSS BEARING ATTACHMENTS PROVIDE A KNIFE-LIKE EDGE TO GET BEHIND PARTS FOR ADDED VERSATILITY AND SECURE REMOVAL OF PARTS.

Great for parts that do not offer adequate grip with jaw type pullers. All bearing/pulley attachments include the bearing attachment, a pair of sized thread-in legs and a sliding cross head. Simply add the hydraulic cylinder from your PR/PS-Series puller set.

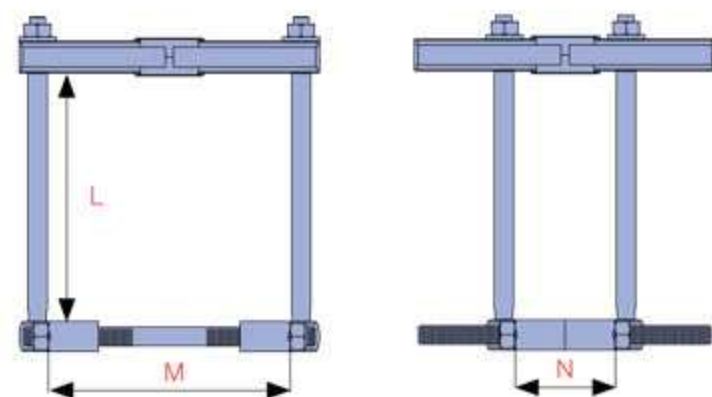
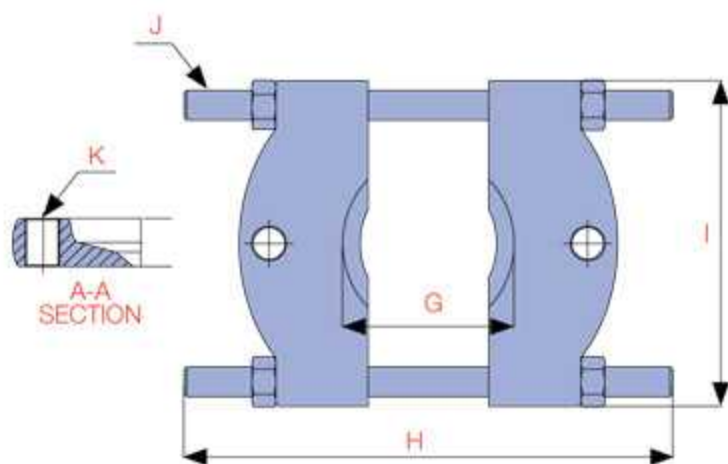


CAPACITY
4 - 30 ton

SPREAD RANGE
5 - 495 mm



BEARING/PULLEY ATTACHMENT SET



| Model No. | G (Min./Max.) | H (mm) | I (mm) | J | K | Weight (kg) |
|-----------|---------------|--------|--------|------------|------------|-------------|
| BS-5-60 | 5-60 | 125 | 70 | 3/8"-24UNF | 3/8"-16UNC | 0.6 |
| BS-15-60 | 15-60 | 135 | 127 | 1/2"-20UNF | 3/8"-16UNC | 1.4 |
| BS-12-70 | 12-70 | 163 | 156 | 5/8"-18UNF | 1/2"-12UNC | 2.5 |
| BS-28-150 | 28-150 | 260 | 204 | 3/4"-16UNF | 5/8"-11UNC | 5.5 |
| BS-20-200 | 20-200 | 350 | 288 | 1"-14UN | 3/4"-10UNC | 8.5 |

| *Model No. | Capacity (ton) | Reach L (mm) | Spread | | Weight (kg) | Inc. Bearing Attachment |
|------------|----------------|--------------|--------|--------|-------------|-------------------------|
| | | | M (mm) | N (mm) | | |
| BS-04250 | 4 | 250 | 110 | 55 | 6.5 | BS-12-70 |
| BS-08270 | 8 | 270 | 220 | 95 | 9.5 | BS-28-150 |
| BS-12380 | 12 | 380 | 290 | 225 | 13 | BS-20-200 |

* Excludes cylinder pump